

## CCGH CONTINUOUS W/CC-908 SIDE MOUNT TRACK

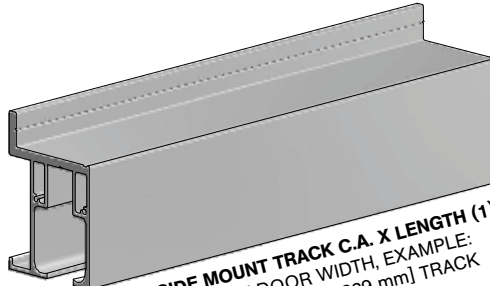
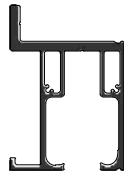
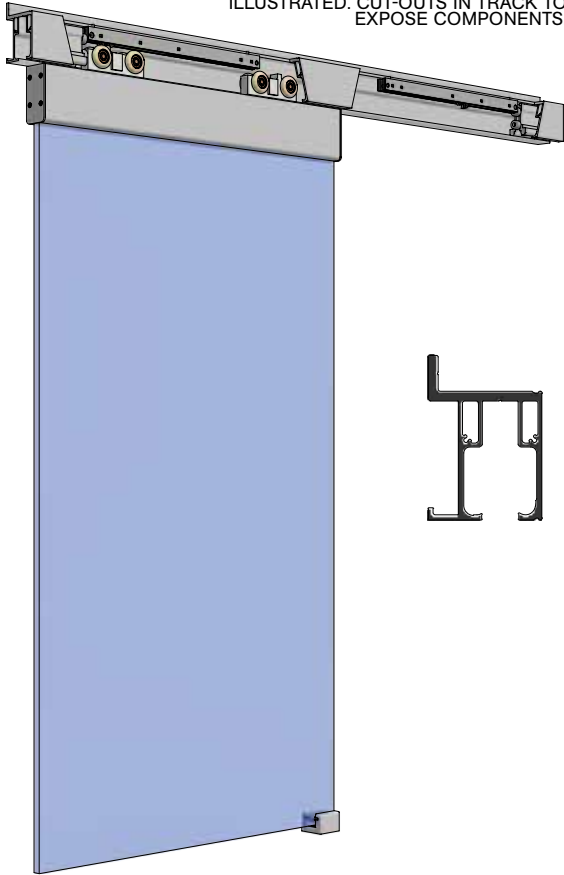
INSTRUCTION SHEET

COMPLETE CCGH-[] WITH CC-908 KIT ILLUSTRATED. CUT-OUTS IN TRACK TO EXPOSE COMPONENTS.

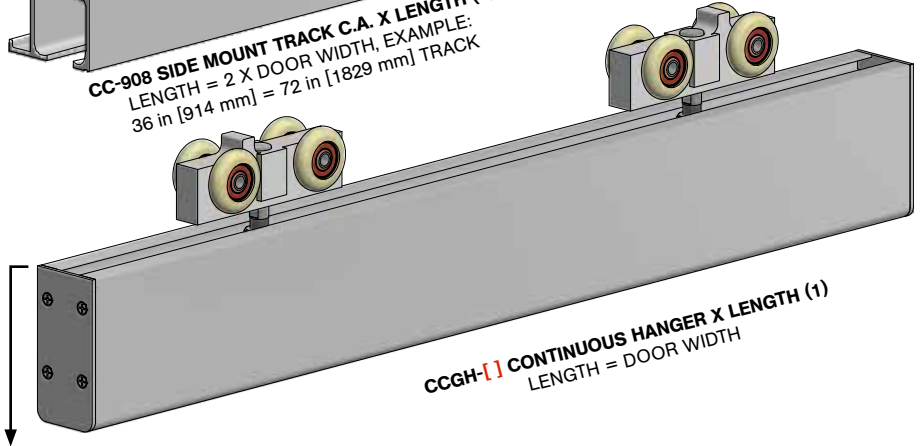
### CROWDERTRACK'S CATCH 'N' CLOSE™ SYSTEM

- PREVENTS BOUNCING AND SLAMMING OF SLIDING DOORS
- CAN BE INSTALLED ON BOTH OPENING AND CLOSING ENDS OF DOORS AS NARROW AS 24 in [610 mm] WIDE
- CYCLE TESTED UP TO 50,000 TIMES
- FOR 1/2 in [12 mm] OR 3/8 in [10 mm] THICK GLASS
- FOR UP TO 300 lbs. [136 kg] USING WITH CC-3

### PARTS LIST

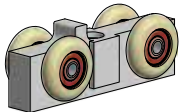


CC-908 SIDE MOUNT TRACK C.A. X LENGTH (1)  
LENGTH = 2 X DOOR WIDTH, EXAMPLE:  
36 in [914 mm] = 72 in [1829 mm] TRACK



CCGH-[] CONTINUOUS HANGER X LENGTH (1)  
LENGTH = DOOR WIDTH

### DISASSEMBLED PARTS LIST



CCGH HANGER BODY (2)  
(C/W WHEELS)



CGH-GB GLASS BOLT



CGH-CB CUSTOM  
HANGER BOLT



CGH-FEC FULL END CAP (2)



3/8"-16 HEX JAM NUT  
[FT20]



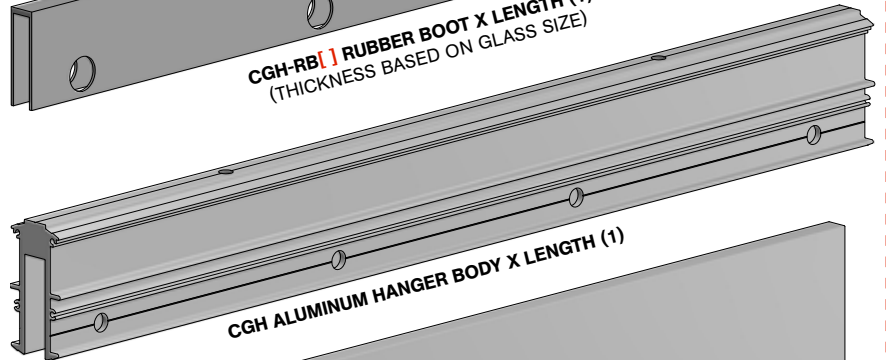
CGH NYLON SPACERS



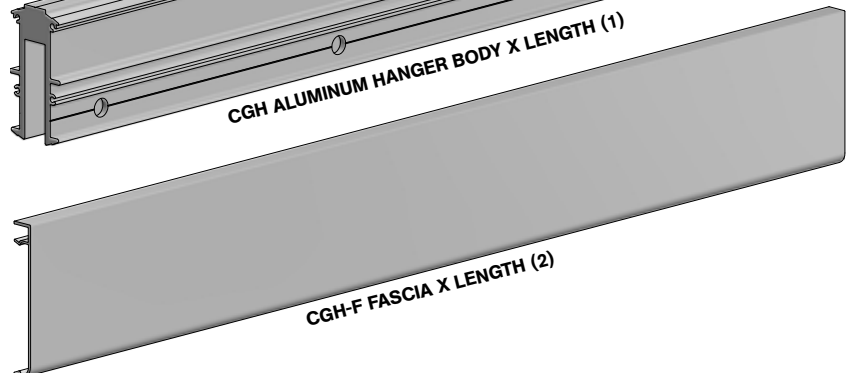
#6-32 X 1/2" FLAT PHILLIPS  
UNDERCUT MACHINE  
SCREW (8)  
[FT49]



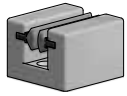
CGH-RB[] RUBBER BOOT X LENGTH (1)  
(THICKNESS BASED ON GLASS SIZE)



CGH ALUMINUM HANGER BODY X LENGTH (1)



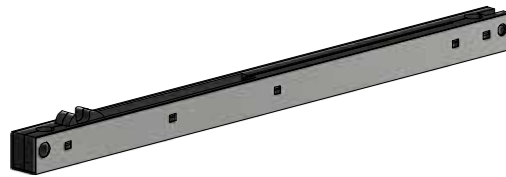
CGH-F FASCIA X LENGTH (2)



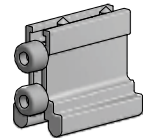
**CGGS-1 STATIONARY GLASS GUIDE (1)**  
(BASED ON GLASS SIZE)



**#10 X 1 1/2" FLAT HEAD SCREWS (2)**  
[FT7]



**CATCH 'N' CLOSE CLOSING DEVICE (2)**  
(SEE DETAILS IN INSTRUCTION STEPS)

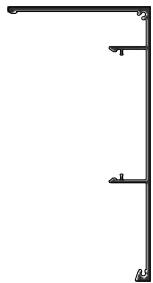
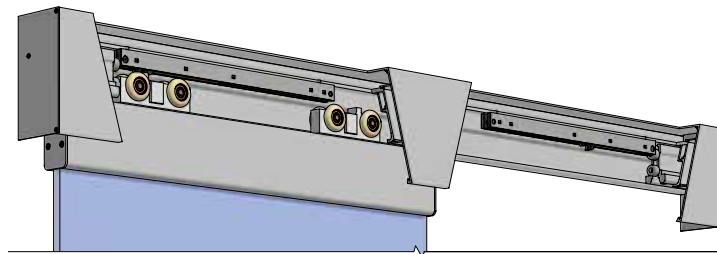


**CC-101HD CATCH 'N' CLOSE IN-TRACK STOPS (2)**

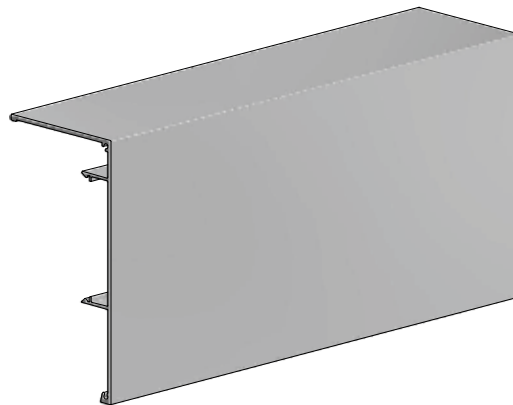


**#10 X 1 1/2" SELF DRILLING SCREWS (4)**  
[FT5]

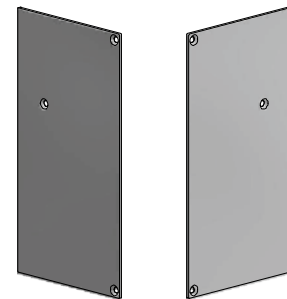
### OPTIONAL ADD-ON PRODUCTS



**CC-980 SNAP-ON FASCIA X LENGTH**  
LENGTH = SAME AS TRACK LENGTH, EXAMPLE:  
72 in [1829 mm] = 72 in [1829 mm] FASCIA

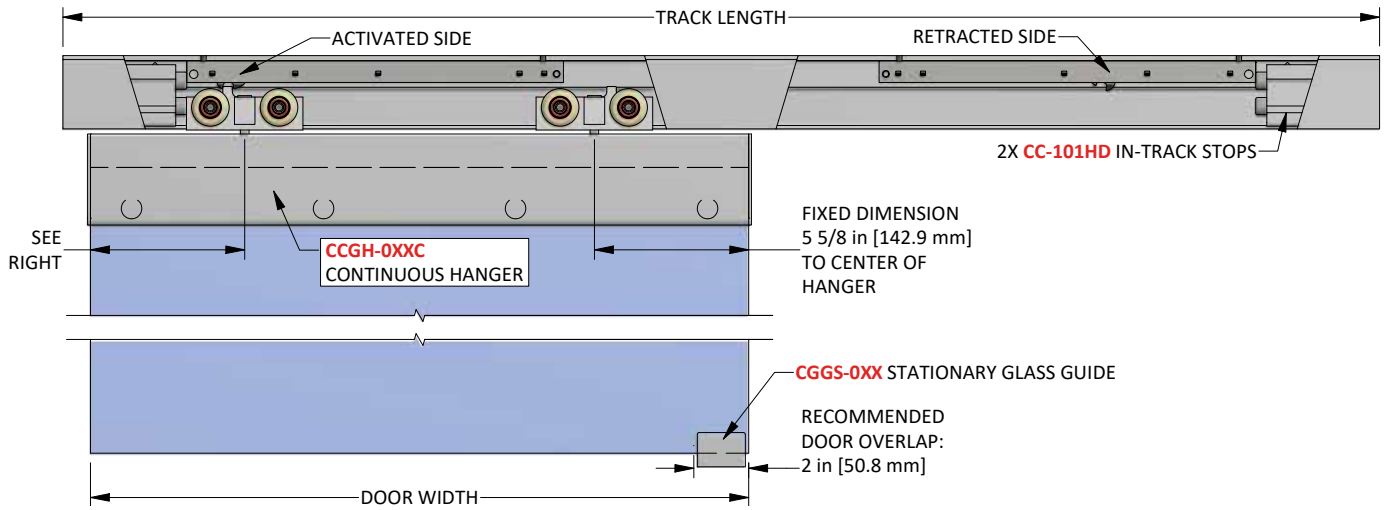


**CC-982 END CAPS (LEFT & RIGHT)**



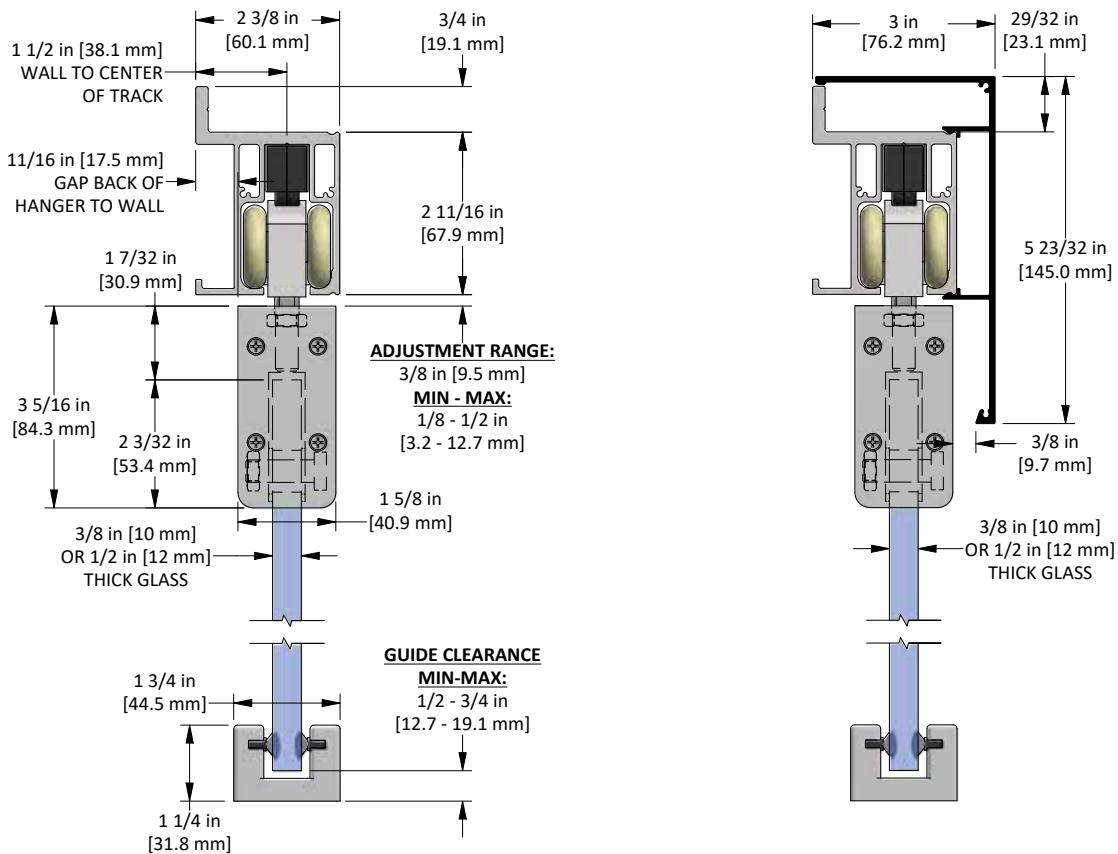
**#4 X 5/16" FLAT HEAD SCREWS (FOR END CAPS)**  
[FT29]

# COMPLETE INSTALLATION ELEVATION VIEW

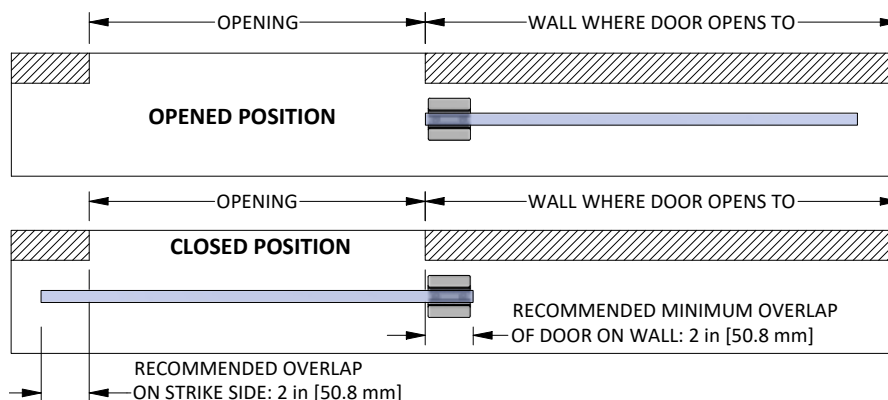


## OPTIONAL CC-980 SNAP-ON FASCIA, ILLUSTRATED AS SOLID BLACK PROFILE

CCGH CONTINUOUS W/CC-908 SIDE MOUNT TRACK  
(CCGH-C HANGER, CC-908 TRACK, CGGS GUIDE SYSTEM)



## TYPICAL INSTALLATION LOCATION FOR FLOOR GUIDES: FOR BARN DOOR APPLICATIONS



**STEP #1:**

DETERMINE DOOR SIZE, HEADER HEIGHT, TRACK POSITION, AND BOTTOM CLEARANCE BASED ON KIT CODE ORDERED BY USING DIMENSIONS SHOWN IN DETAIL VIEWS ON PREVIOUS PAGE.

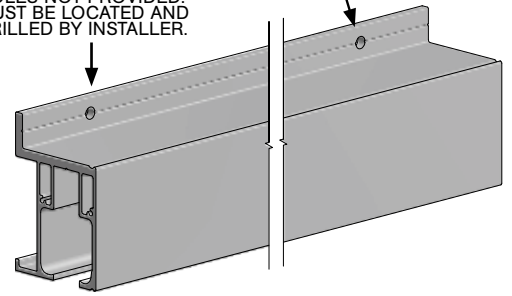
**STEP #2:**

**NOTE: IF ACCESS TO THE ENDS OF TRACK IS NOT AVAILABLE, STEPS #3 & 4 MUST BE COMPLETED BEFORE STEP #2.**

CUT CC-908 ALUMINUM TRACK TO SIZE IF REQUIRED (TYPICALLY 2 X THE DOOR WIDTH). LOCATE AND PRE-DRILL HOLES IN MOUNTING FLANGE ON TRACK. SECURE TRACK TO STRUCTURAL SUPPORT/BACKING.

**NOTE: SOLID BACKING IS REQUIRED. RECOMMENDED TO USE 5/16" DIAMETER LAG OR STRUCTURAL BOLTS TO SECURE TRACK. SPACING IS RECOMMENDED TO BE BETWEEN 12-16 in [304-406 mm] ON CENTER. CONSULT STRUCTURAL ENGINEER TO ENSURE ADEQUATE SUPPORT & FASTENING.**

HOLES NOT PROVIDED, MUST BE LOCATED AND DRILLED BY INSTALLER.



**STEP #3:**

ASSEMBLE CCGH CATCH 'N' CLOSE HANGERS AS SHOWN RIGHT:

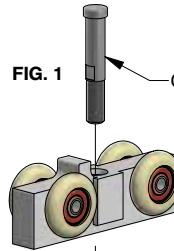
**FIG. 1** - THREAD CGH-CB CUSTOM HANGER BOLT INTO CCGH HANGER BODY FROM TOP SIDE (SIDE WITH TRIGGER) AND THREAD 3/8-16 HEX JAM NUT ON BOLT.

**FIG. 2** - COMPLETED CCGH HANGER ASSEMBLY (2 X REQUIRED).

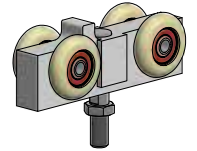
FIG. 1

CGH-CB CUSTOM HANGER BOLT

FIG. 2



3/8-16 HEX JAM NUT [FT20]



**STEP #4:**

SLIDE ONE (1) CCGH HANGER ASSEMBLY (\*) WITH TRIGGER FACING END OF TRACK AND ONE (1) CC-101HD IN-TRACK STOP (●) INTO EACH END OF TRACK (AS SHOWN BELOW).

**NOTE: LEAVE SCREWS ON CC-101HD IN TRACK STOPS (●) LOOSE TO ALLOW STOPS TO SLIDE FREELY WITHIN TRACK. RUBBER BUMPERS OF EACH STOP (●) SHOULD FACE INWARD (TOWARD MIDDLE OF TRACK).**

- \* CCGH HANGER
- CC-101HD IN-TRACK STOPS

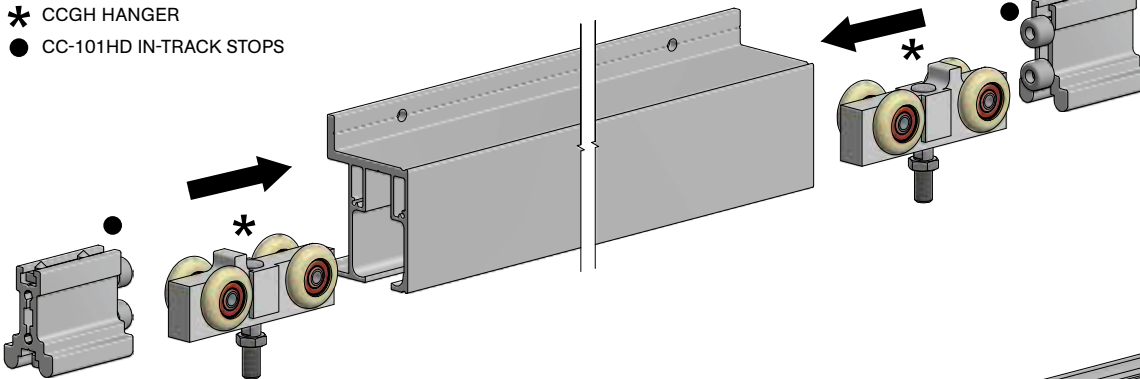
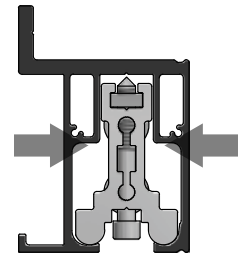
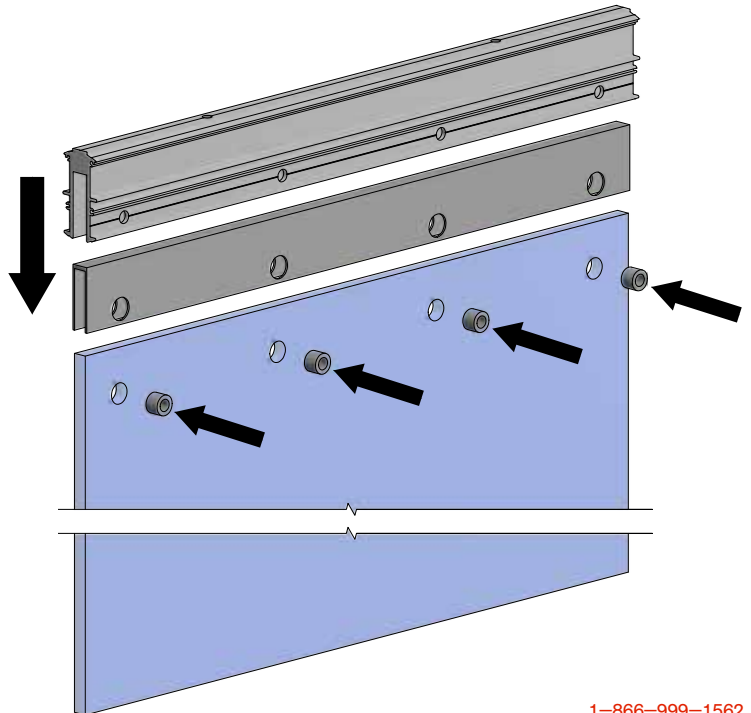


ILLUSTRATION BELOW SHOWS CORRECT POSITIONING OF STOPS IN TRACK



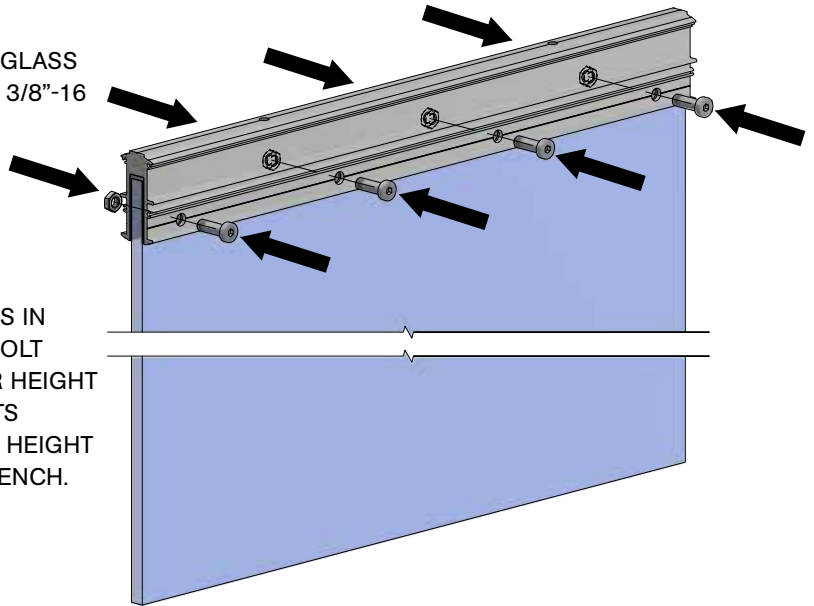
**STEP #5:**

PREPARE GLASS DOOR WITH HOLES PER GLASS PREP TEMPLATE ATTACHED ON LAST PAGE. INSERT CGH NYLON WASHERS IN PREP HOLES OF GLASS DOOR. SLIP CGH-RB [ ] RUBBER BOOT OVER TOP EDGE OF GLASS, THEN CGH ALUMINUM HANGER BODY OVER RUBBER BOOT. ALIGN HOLES ON RUBBER BOOT AND HANGER BODY WITH CGH NYLON WASHERS AND HOLES ON GLASS DOOR. SEE RIGHT.



**STEP #6:**

THREAD (QUANTITY BASED ON HANGER LENGTH) CGH-GB GLASS BOLTS PER HANGER THROUGH HOLES IN GLASS AND INTO 3/8"-16 HEX JAM NUT [FT20]. SEE RIGHT.

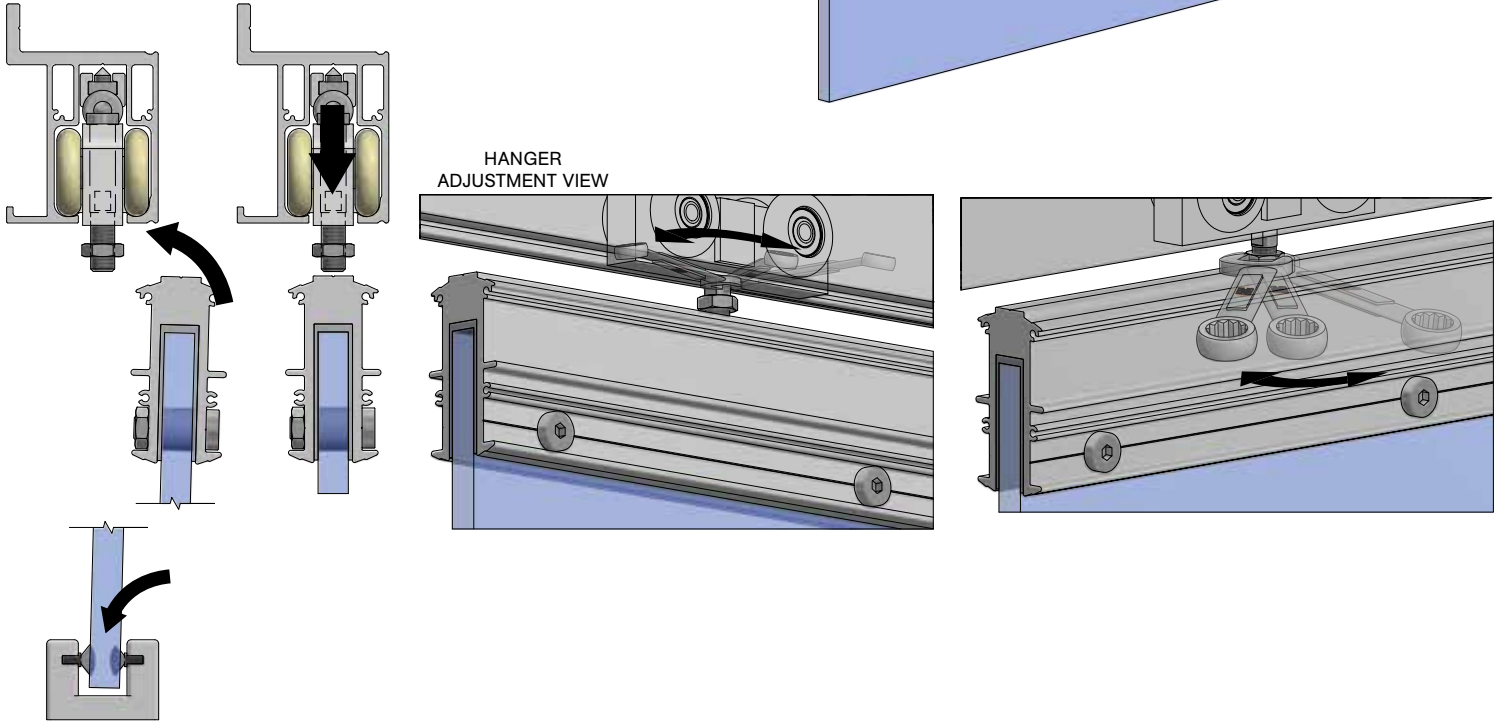


**STEP #7:**

SEE CHOSEN GUIDE SYSTEM INSTRUCTION SHEET FOR INSTALLATION STEPS.

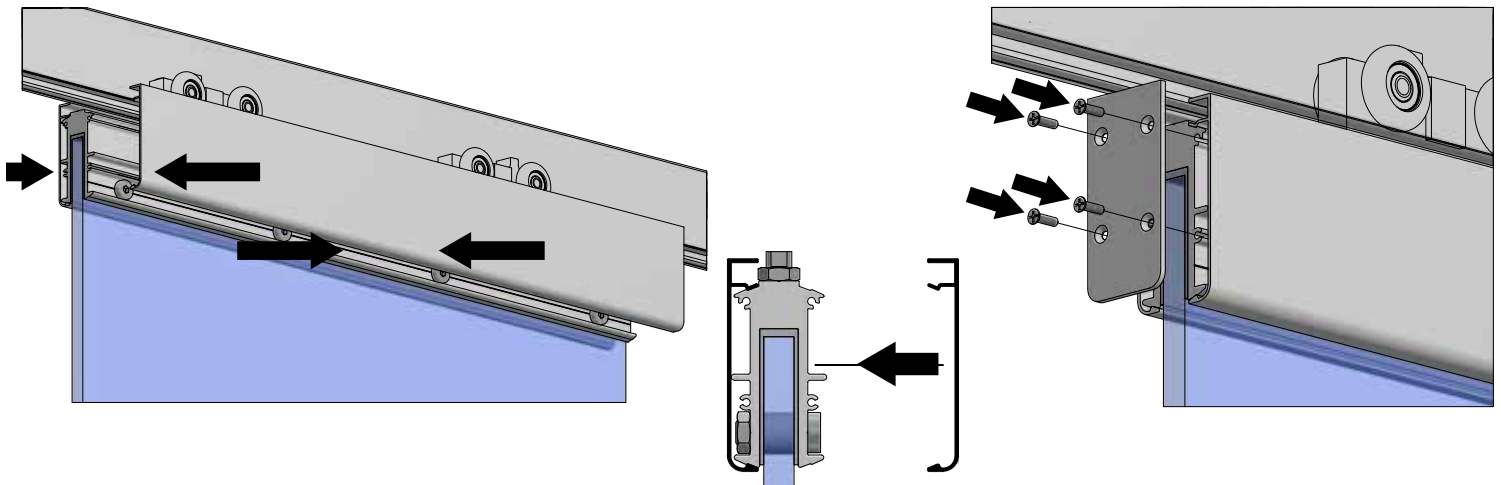
**STEP #8:**

RAISE DOOR, POSITION OVER GUIDE, AND UNDER HANGERS IN TRACK. LIFT DOOR UP AND ENGAGE CGH HANGER BODY BOLT SLOT WITH CGH-CB CUSTOM HANGER BOLT. ADJUST DOOR HEIGHT AND PLUMB BY USING 3/8" WRENCH ON ADJUSTMENT FLATS LOCATED ON CGH-CB CUSTOM HANGER BOLT. LOCK FINAL HEIGHT ADJUSTMENT WITH 3/8"-16 HEX JAM NUTS USING 9/16" WRENCH.



**STEP #9:**

SNAP CGH-F FASCIA ONTO HANGER BODY, ONE PER SIDE. PLACE CGH-FEC FULL END CAPS ONTO ENDS OF EACH HANGER AND FASTEN WITH (4) #6-32 X 1/2" FLAT PHILLIPS UNDERCUT MACHINE SCREW [FT49] PER END CAP.



**STEP #10:**

AFTER DOOR HAS BEEN INSTALLED, POSITION DOOR APPROXIMATELY 5-10 in [127-254 mm] AWAY FROM FINAL POSITION AT ONE END (SHOWN BELOW WITH LEFT SIDE). PUSH LOOSE CC-101HD STOP (INSTALLED IN STEP #4) AGAINST HANGER BODY AS SHOWN BELOW.



**STEP #11:**

WITH CC-101HD STOP LOOSE, SLIDE DOOR TO FINAL/DESIRED POSITION OF DOOR AS SHOWN BELOW.

**NOTE: ENSURE THAT STRIKE AND TRIM THICKNESS ARE TAKEN INTO CONSIDERATION FOR FINAL/DESIRED POSITION OF DOOR.**



**STEP #12:**

ONCE FINAL POSITION IS ACHIEVED, SLIDE DOOR AWAY FROM CC-101HD STOP. LOCK CC-101HD STOP IN POSITION BY TIGHTENING TWO CAP SCREWS ON CC-101HD STOP WITH 3/16" ALLEN KEY (CC-101HD IS SECURED BY FRICTION FIT WITH CONE POINT SCREWS).



**STEP #13:**

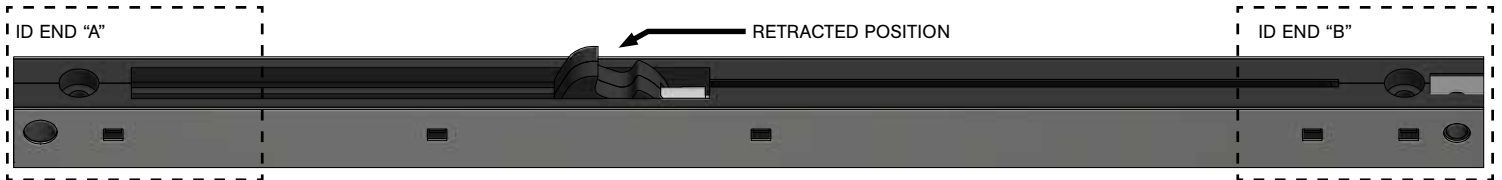
REPEAT STEPS #10 - #12 FOR OPPOSITE SIDE.

**NOTE: ENSURE THAT STRIKE AND TRIM THICKNESS ARE TAKEN INTO CONSIDERATION FOR FINAL/DESIRED POSITION OF DOOR.**

**STEP #14:**

BEFORE INSTALLING CATCH 'N' CLOSE CLOSING DEVICES, ENSURE DEVICES ARE IN RETRACTED POSITION AS SHOWN BELOW. IF NOT IN REQUIRED POSITION, SLIDE HOOK DOWN UNTIL IT LOCKS IN POSITION.

**NOTE: REQUIRES SIGNIFICANT FINGER PRESSURE.**



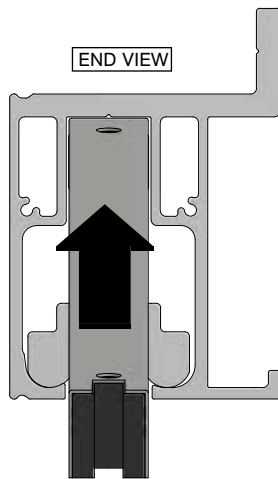
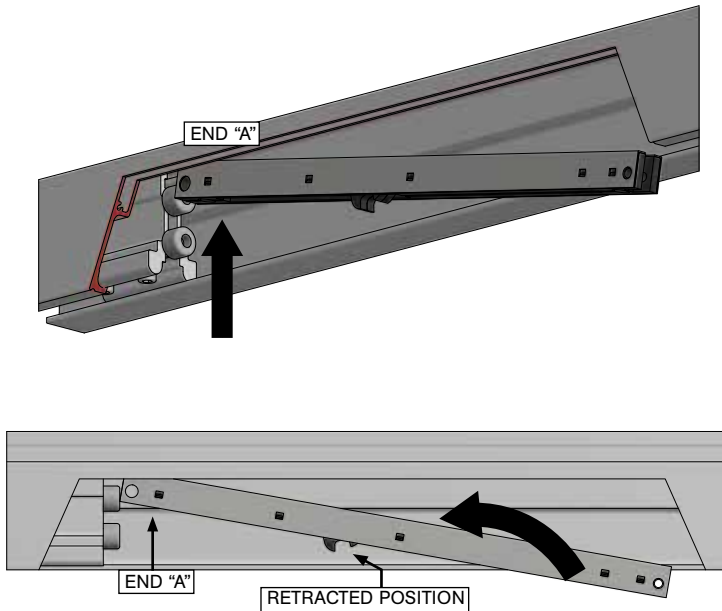
**IMPORTANT CATCH'N'CLOSE CLOSING DEVICE NOTES:**

IF DOORS ARE 200LBS OR LESS, ENSURE CC-2 CATCH'N'CLOSE CLOSING DEVICES ARE USED.

IF DOORS ARE MINIMUM 200LBS UP TO 300LBS, ENSURE CC-3 CATCH'N'CLOSE CLOSING DEVICES ARE USED.

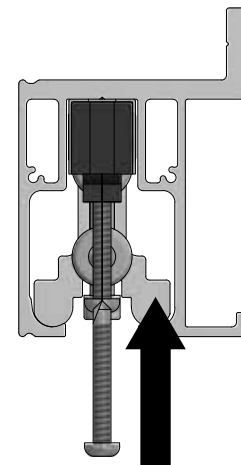
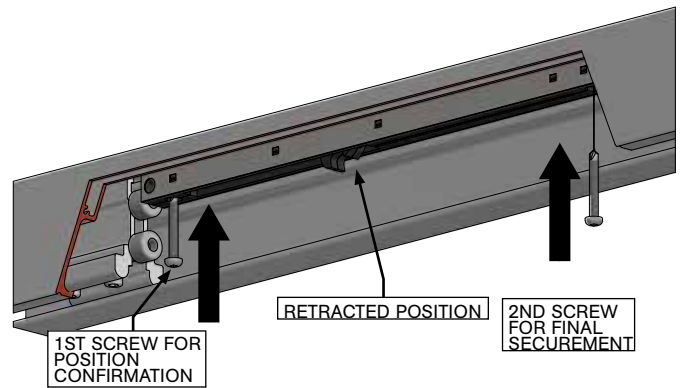
**STEP #15:**

PLACE CATCH 'N' CLOSE CLOSING DEVICE INTO TRACK WITH LEADING END "A" RESTING AGAINST UPPER BODY ON CC-101HD STOPS INSTALLED PREVIOUSLY. SEE ILLUSTRATIONS BELOW:



**STEP #16:**

LOCATE AND SECURE CATCH 'N' CLOSE CLOSING DEVICE TO TRACK WITH (2) #10-24 TAB NUTS [FT43] & (2) #10-24 X 1" PAN HEAD SCREWS [FT45]. PRE-DRILL TRACK AND HEADER BRACKET WITH WITH Ø1/4 in [6.4 mm] DRILL BIT. REPEAT FOR OPPOSITE END WITH CATCH 'N' CLOSE CLOSING DEVICE INSTALLED IN REVERSE AS SHOWN ON FRONT PAGE IN "COMPLETE INSTALLATION ELEVATION VIEW" ILLUSTRATION. **NOTE: DO NOT OVERTIGHTEN SCREWS. SECURE FIRST SCREW CLOSEST TO CC-101HD STOP ONLY AND TEST SYSTEM BY SLIDING DOOR TO ACTIVATE CATCH 'N' CLOSE. IF IT IN CORRECT POSITION, SECURE WITH SECOND SCREW. REMOVE ANY DRILL FILLINGS FROM INSIDE TRACK.**



**STEP #17:**

TEST COMPLETE CATCH 'N' CLOSE SYSTEM BY SLIDING DOOR TO BOTH LEFT AND RIGHT TO ACTIVATE CLOSING DEVICES.

## CC-980 FASCIA & CC-982 END CAP INSTALLATION

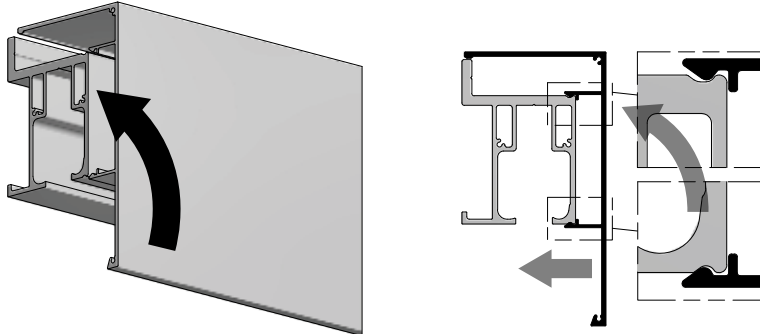
### STEP #F1:

CUT CC-980 FASCIA TO CORRECT LENGTH IF REQUIRED. TYPICALLY, FASCIA IS SAME LENGTH AS TRACK PREVIOUSLY INSTALLED.

### STEP #F2:

LIFT FASCIA UP TO TRACK AND SNAP-ON AS SHOWN BELOW.

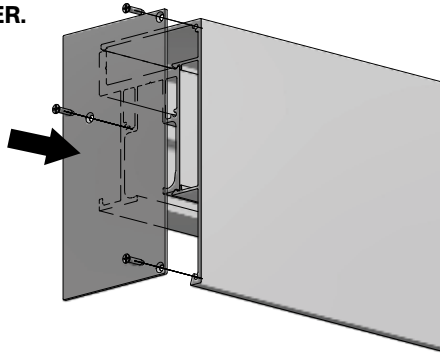
**NOTE: IF FASCIA IS LOOSE AND A TIGHTER FIT IS DESIRED, USE A RUBBER Mallet ON INSIDE LEG OF FASCIA TO REDUCE GAP (AT +/-24 in [610 mm] INTERVALS).**



### STEP #F3:

INSTALL CC-982 END CAP AS SHOWN BELOW WITH THE SUPPLIED #4 X 5/16" FLAT HEAD SCREWS [FT29] (3 SCREWS PER END CAP PROVIDED).

**NOTE: DO NOT INSTALL WITH IMPACT DRIVER.**



## TROUBLESHOOTING

ISSUE	SOLUTION
CHATTER/NOISE WHEN DOOR IS SLIDING	ENSURE THERE ARE NO ALUMINUM SHAVINGS WITHIN TRACK. SHAVINGS CAN BECOME EMBEDDED IN NYLON TIRES AND CAUSE NOISE DURING OPERATION.
DOOR IS HARD TO MOVE	ENSURE GUIDE CHANNEL SECURED TO BOTTOM OF DOOR IS NOT OVER-TIGHTENED AS THIS COULD CAUSE SIDES OF GUIDE CHANNEL TO "PINCH" GUIDE. REMOVE DOOR AND CHECK GUIDE CHANNEL BY ROLLING GUIDE ROLLER IN CHANNEL TO ENSURE SMOOTH TRAVEL. THERE SHOULD BE LITTLE TO NO RESISTANCE.  ENSURE DOOR IS NOT DRAGGING ON BOTTOM OF FLOOR/GUIDES AND ADJUST HEIGHT OF DOOR AS REQUIRED.
DOOR RATTLES	ENSURE LOCKING NUTS & SCREWS ON HANGERS ARE SECURED AND NOT LOOSE.
DOOR IS NOT ENGAGING CLOSING DEVICE	ENSURE HANGERS ARE CORRECTLY ORIENTED. SEE STEPS #4 - #5.  ENSURE CATCH 'N' CLOSE CLOSING DEVICES ARE IN CORRECT RETRACTED OR EXTENDED POSITION PRIOR TO SLIDING DOOR CLOSED/OPEN. SEE STEP #14.
REPLACING THE CATCH 'N' CLOSE DEVICE	THE CATCH 'N' CLOSE TRACK AND HARDWARE SYSTEM HAS BEEN DESIGNED FOR EASY INSTALLATION. REMOVE TWO SCREWS THAT HOLD CATCH 'N' CLOSE CLOSING DEVICE IN PLACE AND REPLACE DEVICE WITH A NEW ONE IF FAILURE OCCURS.



# GLASS DOOR PREP DETAILS

